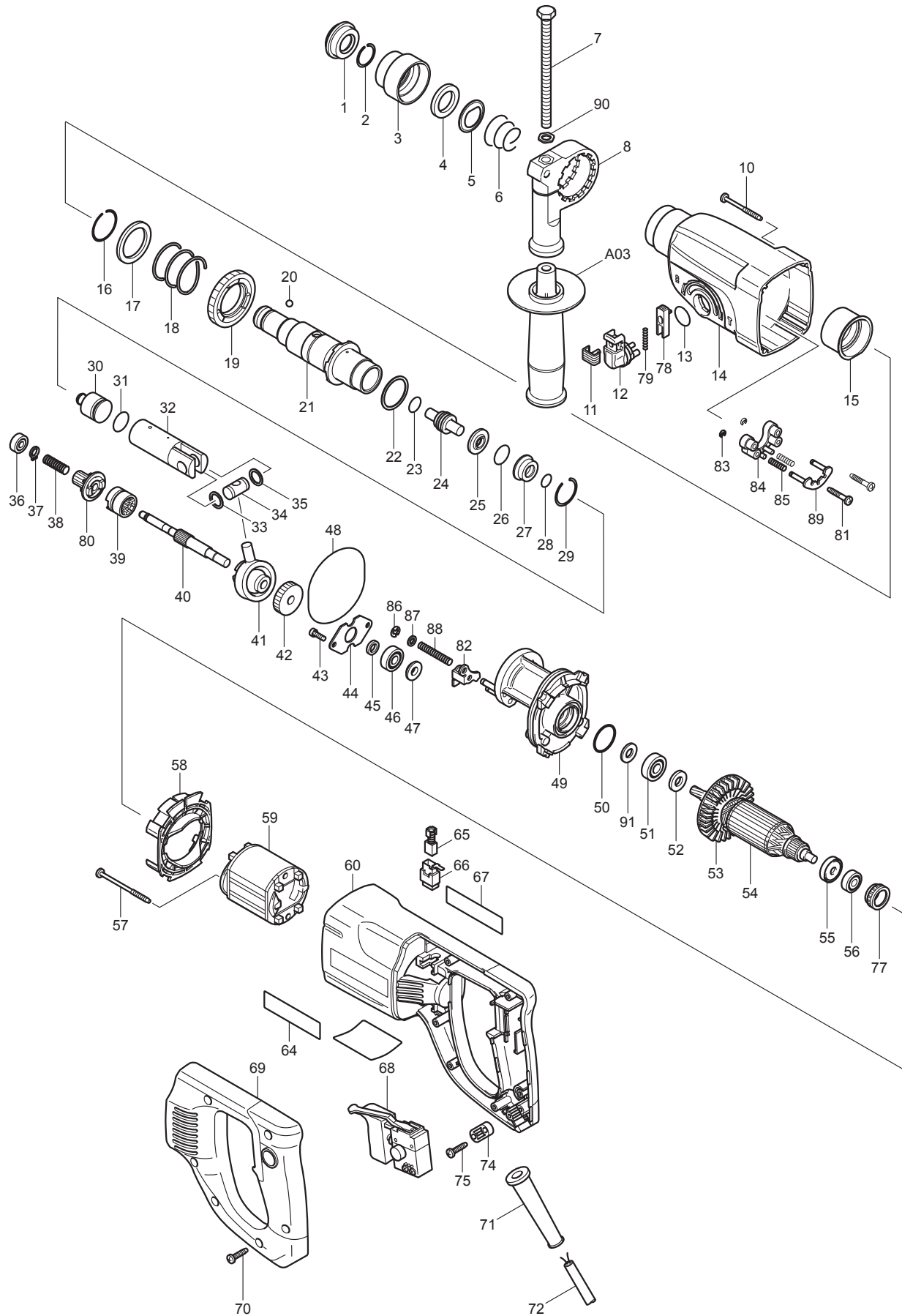




03 - 2010

HR2455

1" ROTARY HAMMER V.S. SDS-PLUS



Item No.	Type	Sub	Part No.	Description (* see Service changes on the bottom)	Qty	Unit
1			286263-4	CAP 35	1	PC.
2			233940-9	* RING SPRING 19 (OLD# 233915-8 - N/L/A)	1	PC.
3			417629-9	CHUCK COVER	1	PC.
4			257241-1	RING 21	1	PC.
5			345187-4	GUIDE WASHER	1	PC.
6			233916-6	CONICAL COMP. SPRING 21-29	1	PC.
7			921923-8	HEX. BOLT M8X120	1	PC.
8			417630-4	GRIP BASE	1	PC.
10			266069-6	TAPPING SCREW 4X45	4	PC.
11			417794-4	CAP	1	PC.
12			162229-7	CHANGE LEVER COMPLETE	1	PC.
13			213278-8	O RING 17	1	PC.
14			183441-6	GEAR HOUSING SET	1	PC.
		INC.		Item No. 15		
15			153290-5	NEEDLE BEARING COMPLETE	1	PC.
16			233918-2	RING SPRING 28	1	PC.
17			267228-5	WASHER 30	1	PC.
18			233328-3	COMPRESSION SPRING 31	1	PC.
19			227028-5	SPUR GEAR 51	1	PC.
20			216022-2	STEEL BALL 7.0	1	PC.
21			153365-0	TOOL HOLDER COMPLETE	1	PC.
22			267229-3	FLAT WASHER 28	1	PC.
23			213128-7	O RING 12	1	PC.
24			324396-8	IMPACT BOLT (OLD# 324278-4 - N/L/A)	1	PC.
25			324218-2	RING 9	1	PC.
26			213232-2	O RING 15	1	PC.
27			324216-6	O RING CASE	1	PC.
28			213073-6	O RING 9	1	PC.
29			233917-4	RING SPRING 28	1	PC.
30			324214-0	STRIKER	1	PC.
31			213227-5	O RING 16	1	PC.
32			331632-5	PISTON CYLINDER	1	PC.
33			267104-3	FLAT WASHER 12	1	PC.
34			324215-8	PISTON JOINT	1	PC.
35			267104-3	FLAT WASHER 12	1	PC.
36			211012-0	BALL BEARING 606ZZ	1	PC.
37			961003-8	RETAINING RING S-7	1	PC.
38			233343-7	COMPRESSION SPRING 7	1	PC.
39			331634-1	CLUTCH CAM	1	PC.
40			324248-3	CAM SHAFT	1	PC.
41			219014-0	SWASH BEARING 10	1	PC.
42			226550-9	HELICAL GEAR 26	1	PC.
43			266273-7	HEX. SOCKET HEAD BOLT M4X12	2	PC.
44			345179-3	BEARING RETAINER	1	PC.
45			267234-0	FLAT WASHER 8	1	PC.
46			211032-4	BALL BEARING 608ZZ	1	PC.
47			324212-4	RING 8	1	PC.
48			213725-9	O RING 68	1	PC.
49			153687-8	* INNER HOUSING COM. (OLD# 153687-8 - N/L/A)	1	PC.
50			213380-7	O RING 24	1	PC.
51			210060-6	BALL BEARING 609LLU	1	PC.
52			267231-6	FLAT WASHER 9	1	PC.
53			240084-8	* FAN 60 (OLD# 240047-4 - N/L/A)	1	PC.
54			515666-8	* ARMATURE ASS'Y 115V (OLD# 517376-3 - N/L/A)	1	PC.
		INC.		Item No. 51-53,55,56		
55			681636-0	INSULATION WASHER	1	PC.
56			211021-9	BALL BEARING 607LLB	1	PC.
57			266052-3	TAPPING SCREW 4X60	2	PC.
58			418085-6	BAFFLE PLATE	1	PC.
59			633556-4	FIELD 115V	1	PC.

Item No.	Type	Sub	Part No.	Description (* see Service changes on the bottom)	Qty	Unit
60			183580-2	MOTER HOUSING	1	PC.
		INC.		Item No. 64,67		
64			819064-1	MAKITA MARK	1	PC.
65	1		191927-6	CARBON BRUSH CB-407 2PC/SET (W/O ORIGIN)	1	SET
		2	195007-0	CARBON BRUSH CB-407 2PC/SET (W/ ORIGIN)	1	SET
66			643936-6	BRUSH HOLDER	2	PC.
67			819064-1	MAKITA MARK	1	PC.
68			650508-0	SWITCH TG813TLB-1	1	PC.
69			418086-4	HANDLE COVER	1	PC.
70			265995-6	TAPPING SCREW 4X18	6	PC.
71			682559-5	CORD GUARD 8	1	PC.
72			664895-1	POWER SUPPLY CORD #18-2-4.0	1	PC.
74	2		687123-7	CORD CLAMP (STRAIN RELIEF)	1	PC.
75			265995-6	TAPPING SCREW 4X18	2	PC.
77			421494-0	RUBBER RING 19	1	PC.
78			417795-2	LOCK BUTTON	1	PC.
79			233341-1	COMPRESSION SPRING 3	1	PC.
80			226399-7	SPUR GEAR 10	1	PC.
81			265999-8	TAPPING SCREW 4X25	2	PC.
82	1		345220-2	* CHANGE PLATE	1	PC.
		2	345363-0	* CHANGE PLATE	1	PC.
83			961017-7	STOP RING E-3	2	PC.
84			417796-0	GUIDE BASE	1	PC.
85			233344-5	COMPRESSION SPRING 4	2	PC.
86			961011-9	STOP RING E-4	1	PC.
87			941102-2	FLAT WASHER 5	1	PC.
88			233342-9	COMPRESSION SPRING 6	1	PC.
89			163430-7	LOCK PLATE COMPLETE	1	PC.
90			345280-4	HEX. WASHER	1	PC.
91			267271-4	* FLAT WASHER 9	1	PC.
100			251425-3	(-) FLAT HEAD SCREW M6X22	1	PC.

ACCESSORIES

- See catalogue or visit www.makita.ca for other optional accessories -

A01			324219-0	DEPTH GAUGE	1	PC.
A02			824695-3	PLASTIC CARRYING CASE	1	PC.
		INC.	417724-5	LATCH	2	PC.
A03	1		134943-5	GRIP 36 ASS'Y	1	PC.
		INC.	152521-9	GRIP 36 COMPLETE	1	PC.
		INC.		Item No. 7,8,90		
		2	135302-6	GRIP 36 ASS'Y	1	PC.
		INC.	153503-4	GRIP 36 COMPLETE	1	PC.
		INC.		Item No. 7,8,90		
A04			181573-3	BIT GREASE	1	PC.
			194683-7	GREASE VESSEL SET, 100CC	1	PC.
A05			765009-6	BLOW-OUT BULB	1	PC.
A06			421342-3	DUST CUP 5 (6-14.5MM BIT DIA.)	1	PC.
			421664-1	DUST CUP 9 (12-16MM BIT DIA.)	1	PC.
A07			763047-2	½" DRILL CHUCK	1	PC.
			192877-8	½" DRILL CHUCK	1	PC.
A08			122573-4	CHUCK ADAPTOR ASSY	1	PC.
			D-14093	CHUCK ADAPTOR		
A09			122574-2	DRILL CHUCK ASSY (INC.Item No. A07 & A08)	1	PC.
A10			763432-9	CHUCK KEY	1	PC.
A11			A-90582	HAMMER GREASE 30CC (OLD# 181490-7 - N/L/A)	1	PC.
A12			191687-A	MAKITA SAFETY GLASSES (OLD# 191687-A - N/L/A)	1	PC.
A13			256806-6	ROD (FOR 25-40MM)	1	PC.
			256815-5	ROD (FOR 45-118MM)	1	PC.

SERVICE CHANGES

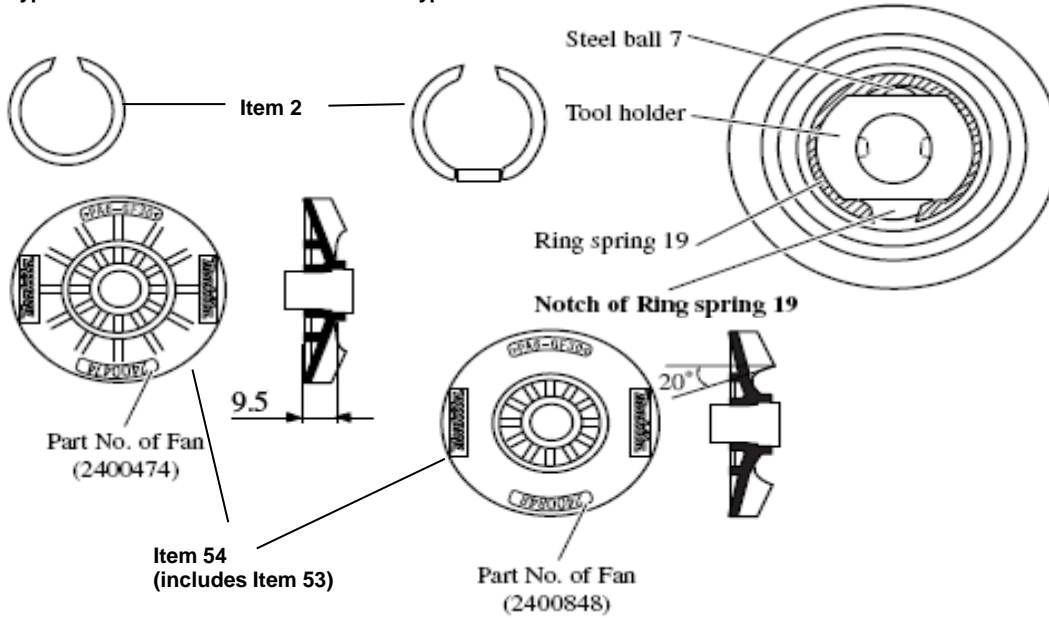
1. Changes on Ring Spring 19 and Armature Assy

Item No.	Description	Type 1	Type 2
2	Ring Spring 19	233915-8	233940-9
54	Armature Assy	517376-3	515666-8
53	Fan	240047-7	240084-8

Above parts are completely interchangeable as a set.

Type 1

Type 2



2. Changes on Inner Housing Complete and Change Plate.

Item No.	Description	Type 1	Type 2	Type 3
49	Inner Housing Com	153367-6	153610-3	153687-8
82	Change Plate		345220-2	345363-0
91	Flat Washer 9	-----		267271-4

Above parts are completely interchangeable as a set.

Type 1

Type 2

